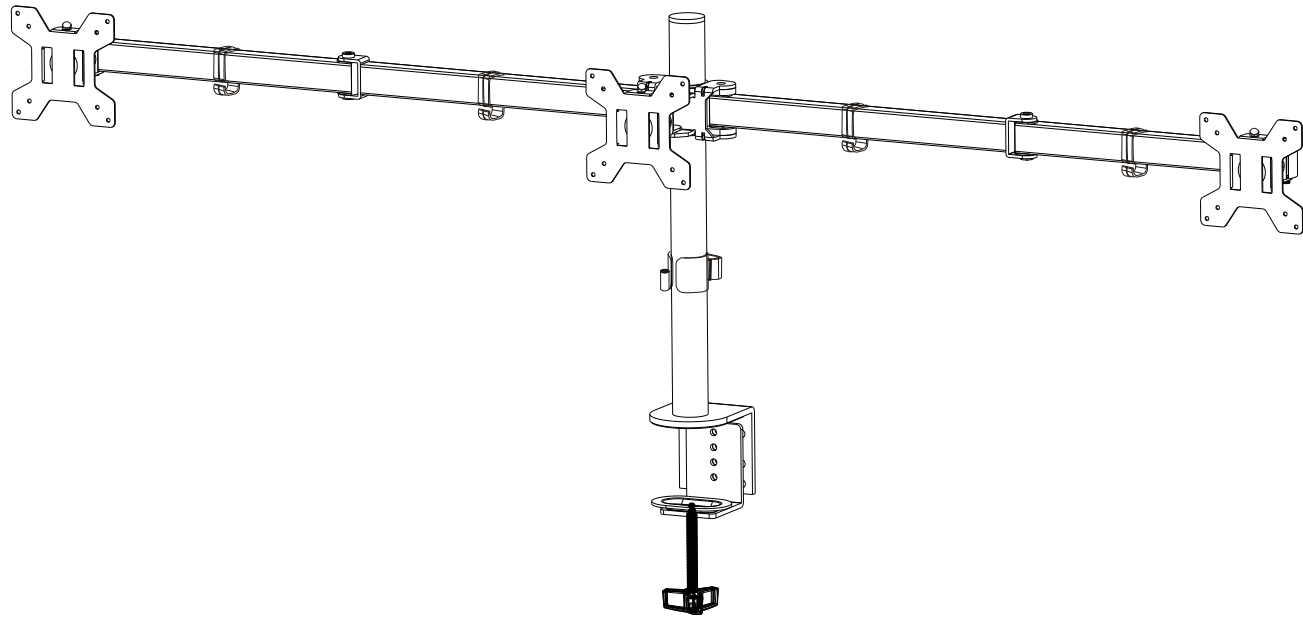


1

REV:01



75x75  
100x100

27"  
MAX

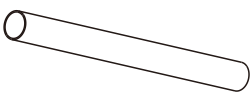


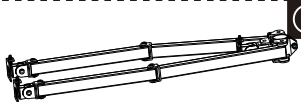
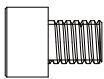


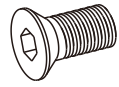

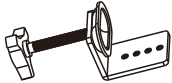
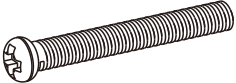





8kg  
(18lbs)  
MAX



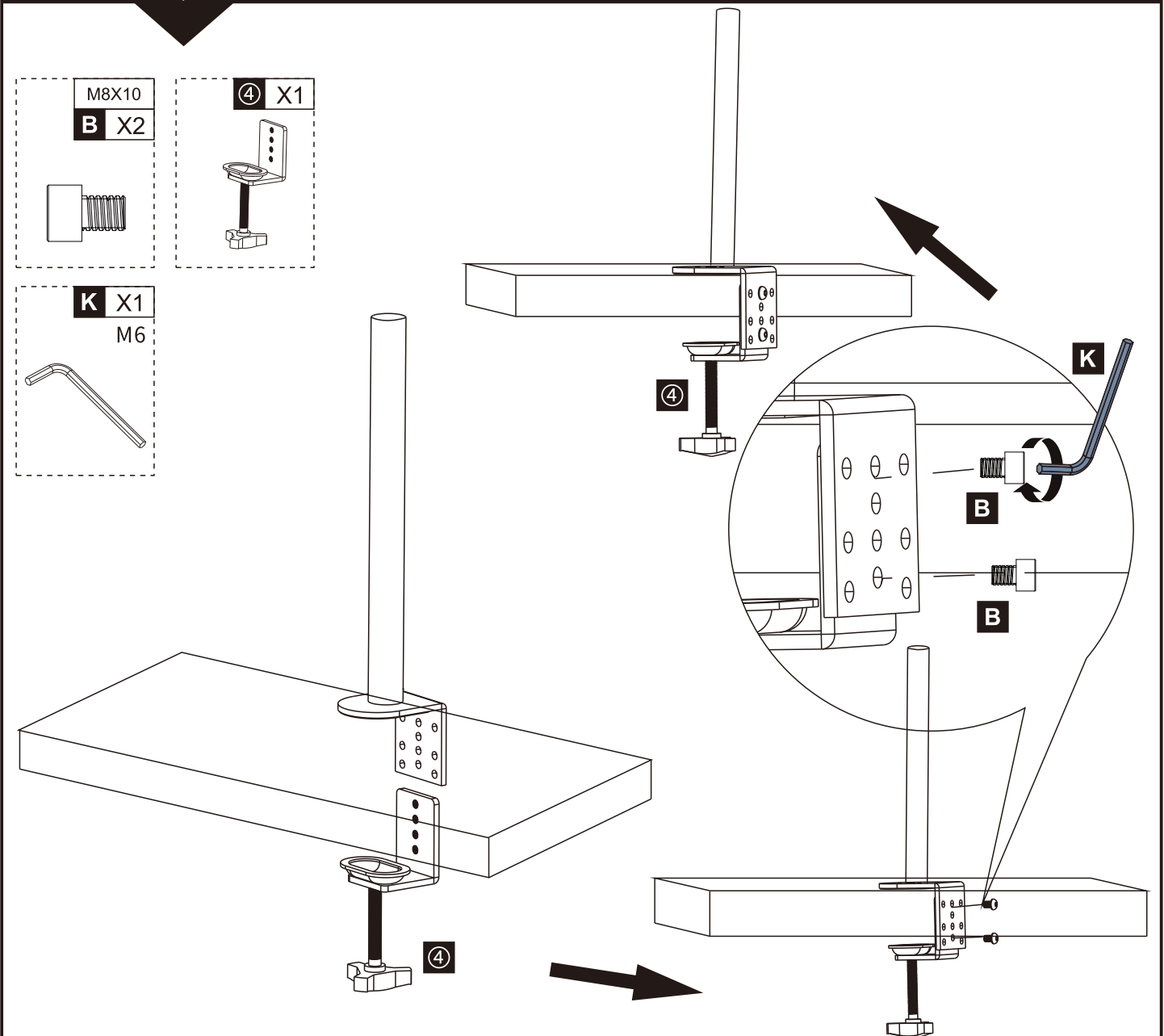
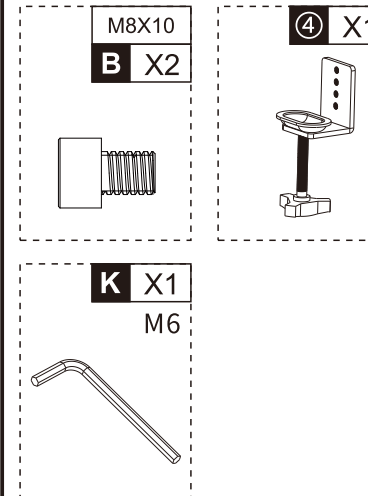
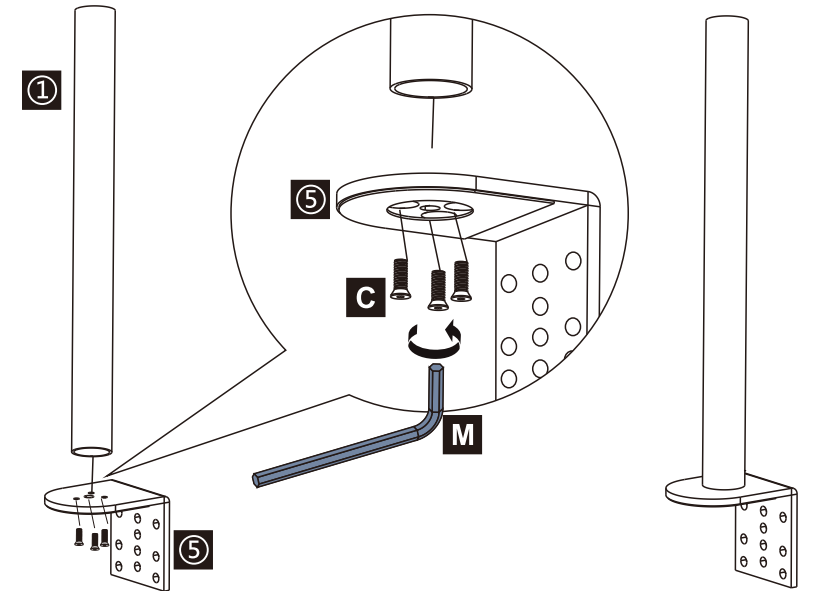
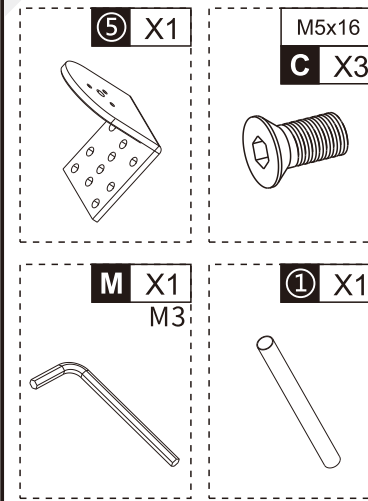
CAUTION: DO NOT EXCEED RATED LISTED WEIGHT. SERIOUS INJURY OR PROPERTY DAMAGE MAY OCCUR! WE DO NOT RESPONSIBLE FOR DAMAGES CASUSED BY IMPROPER INSTALLATION!

M083

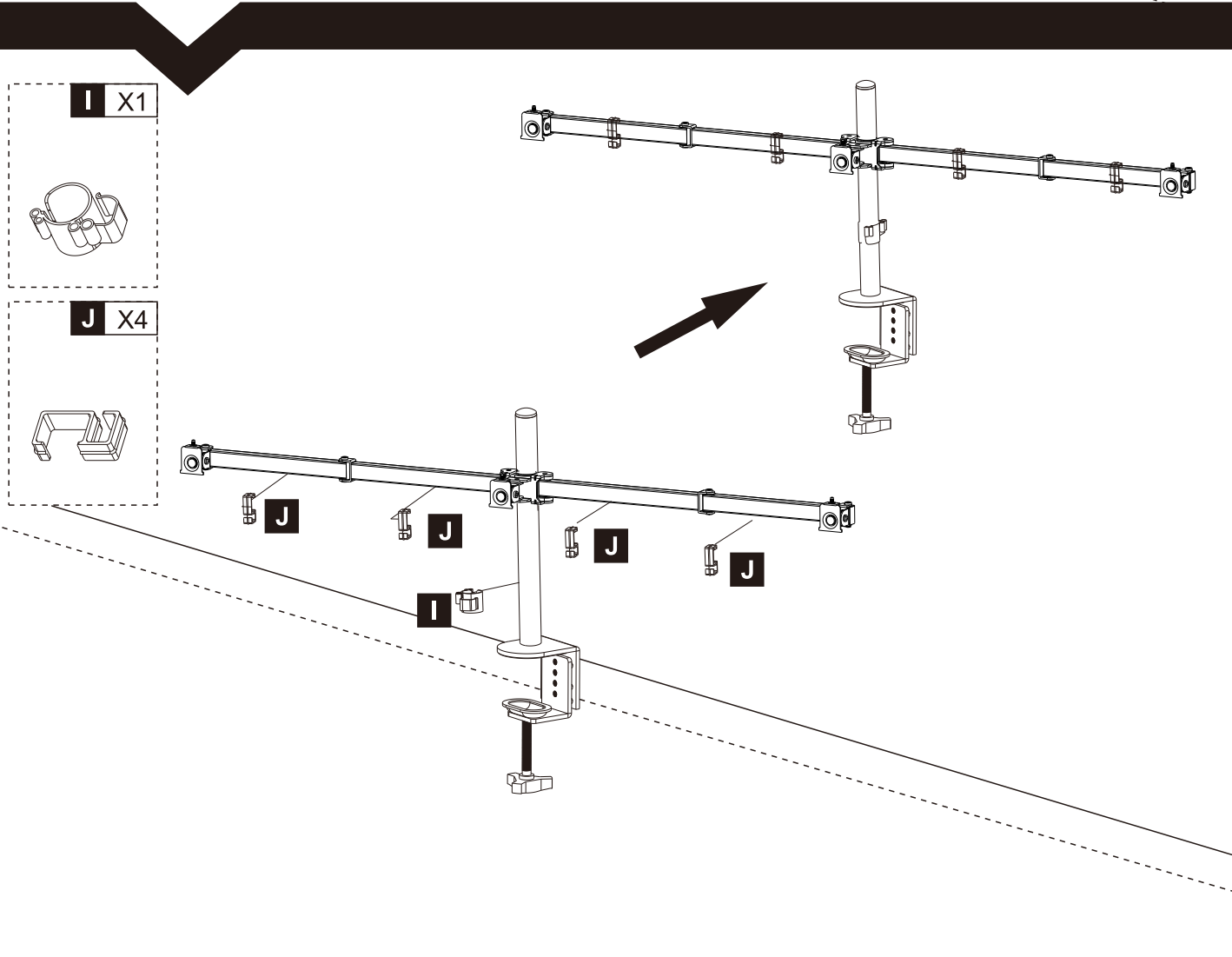
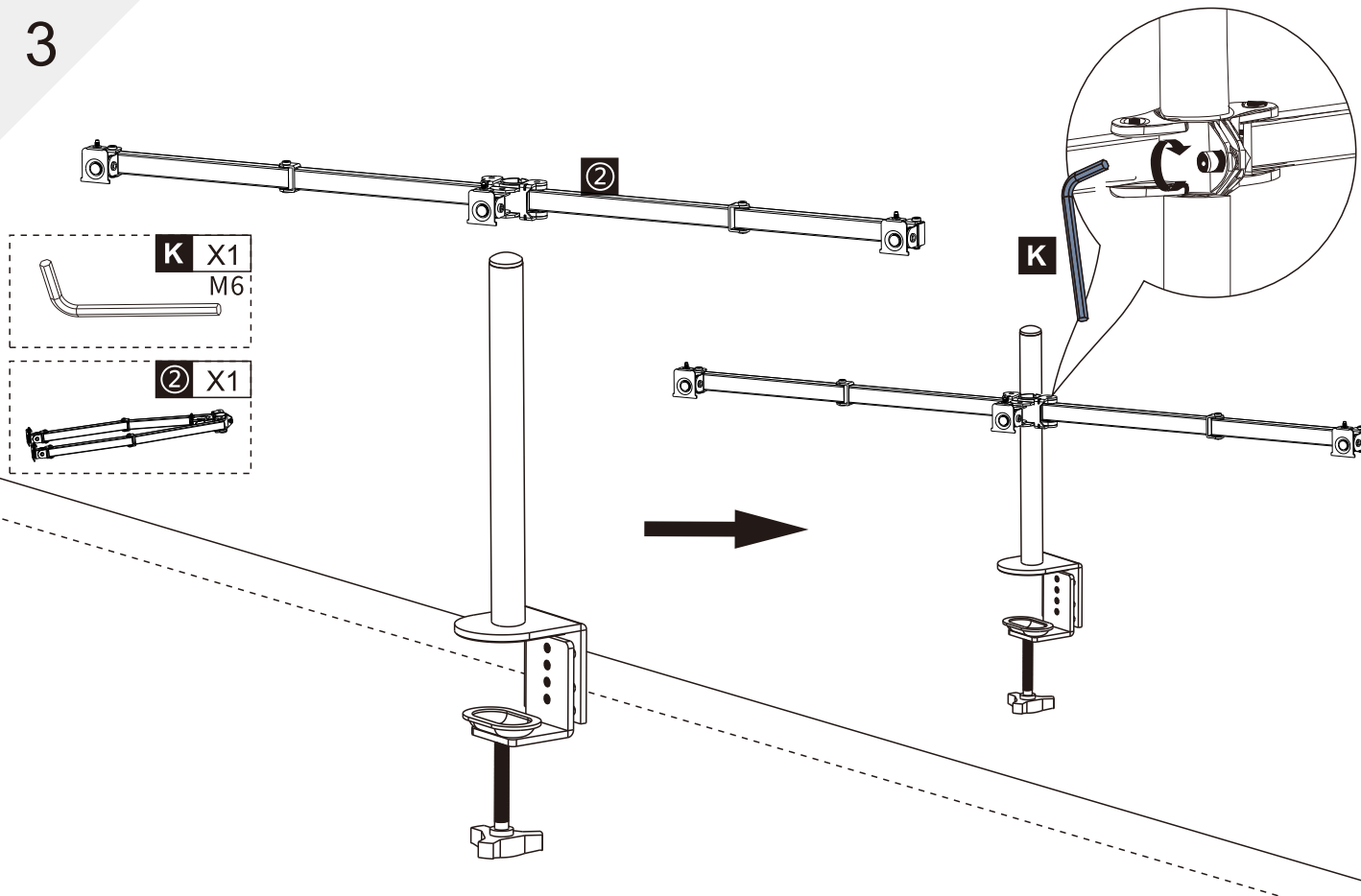
**PART LIST**

	<b>1</b> X1		M6 <b>A</b> X3		<b>H</b> X12
	<b>2</b> X1		M8x10 <b>B</b> X2		<b>I</b> X1
	<b>3</b> X3		M5x16 <b>C</b> X3		<b>J</b> X4
	<b>4</b> X1		M4x30 <b>F</b> X12		<b>K</b> X1 M6
	<b>5</b> X1		M4*12 <b>G</b> X12		<b>L</b> X1 M5
					<b>M</b> X1 M3

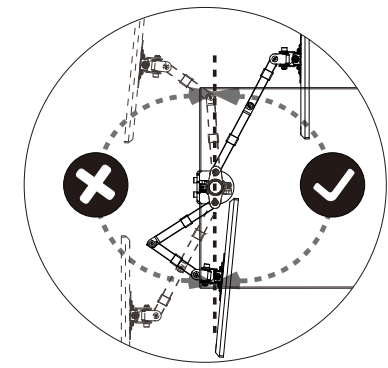
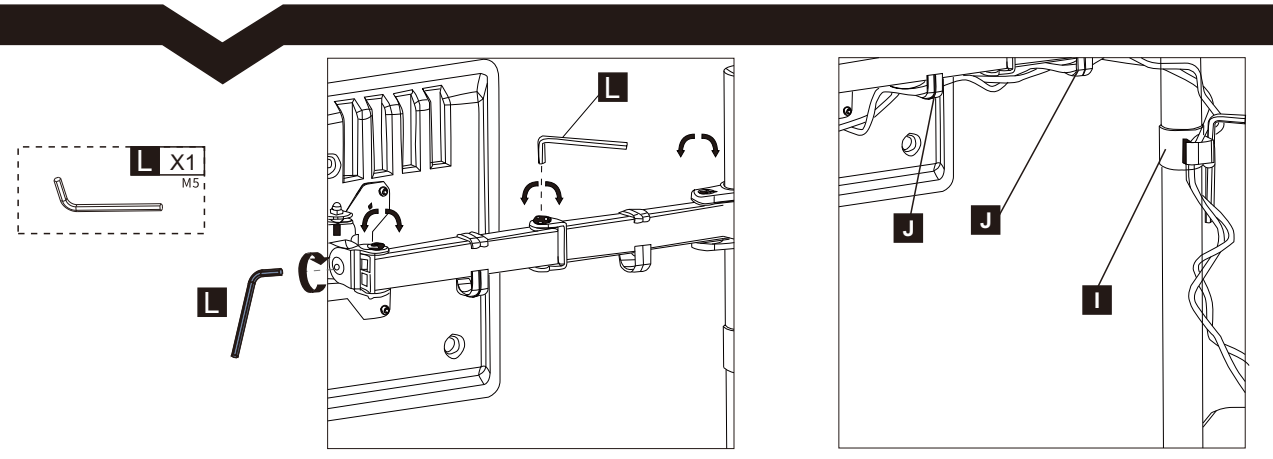
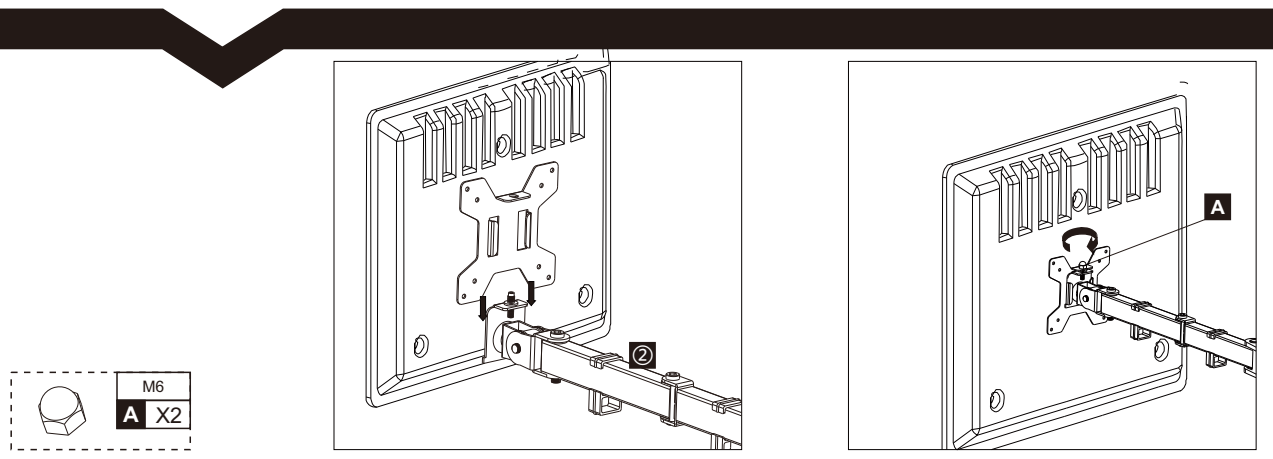
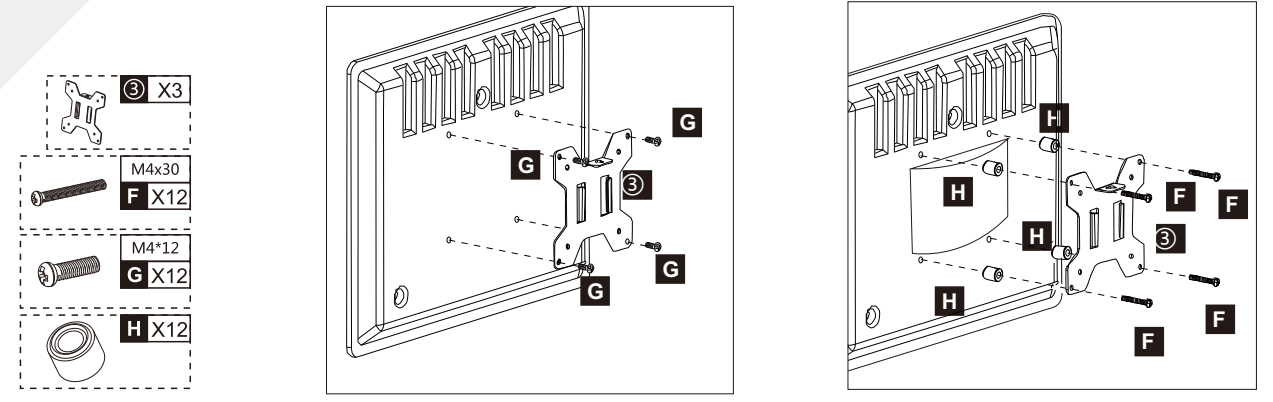
2



3



4



Warning:  
 To avoid tipping, please be careful not to extend the arms too far forward or backward. When you adjust the angle of the arms, please make sure two arms are balanced to avoid instability of the center of gravity of the base.