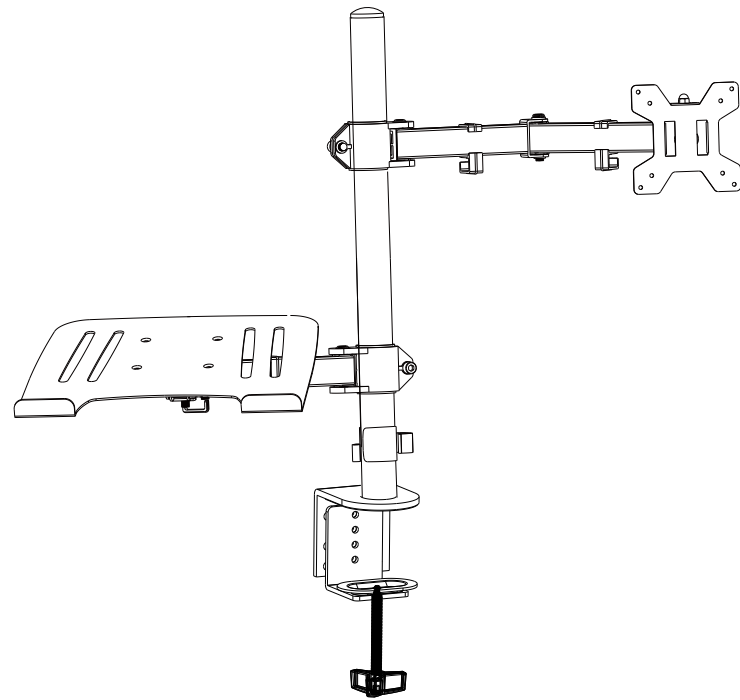


1

REV:01



75x75  
100x100

32"  
MAX

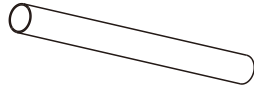

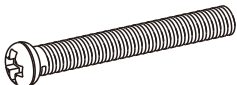
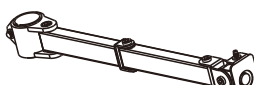









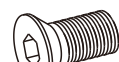






8kg  
(18lbs)  
MAX



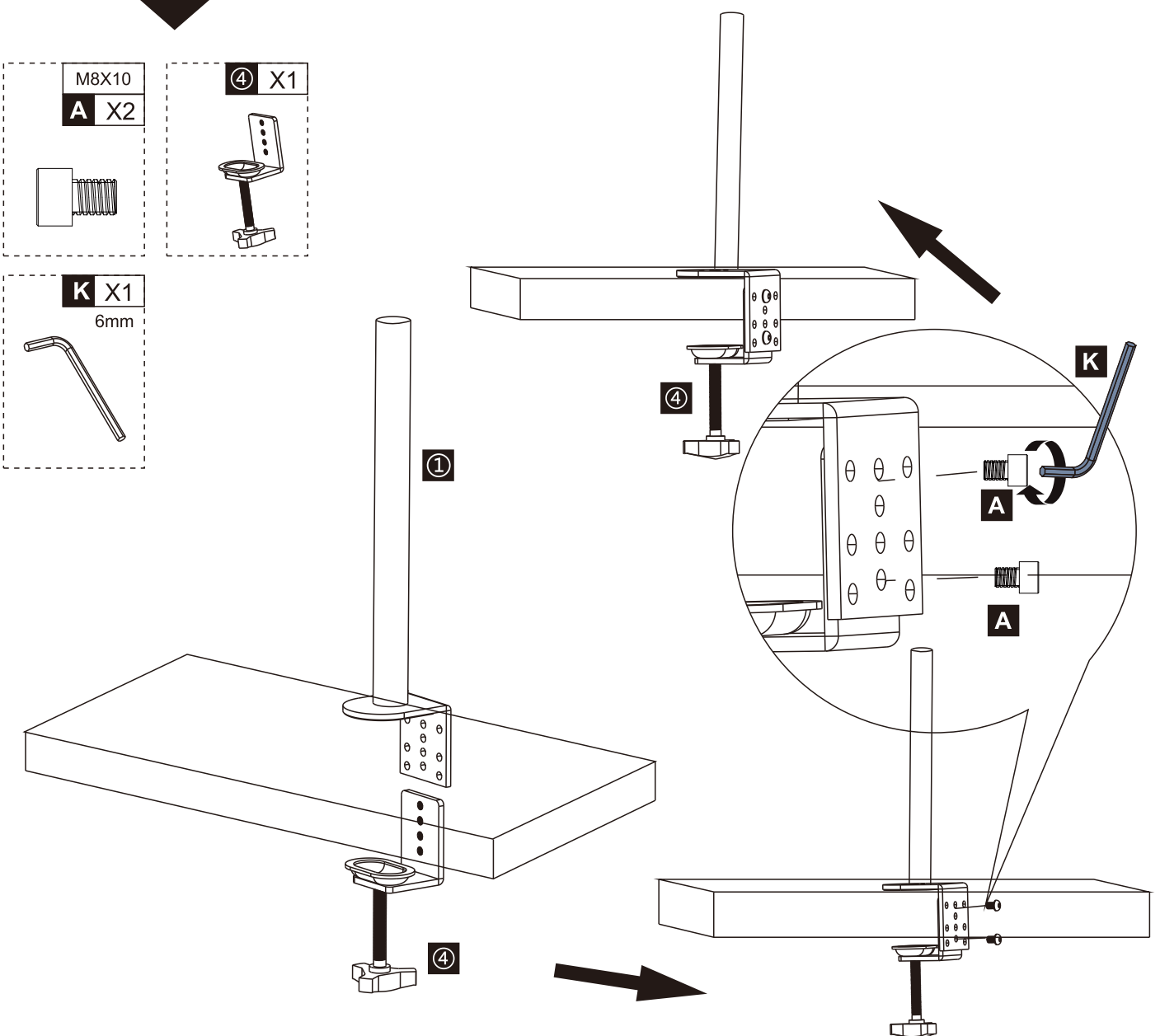
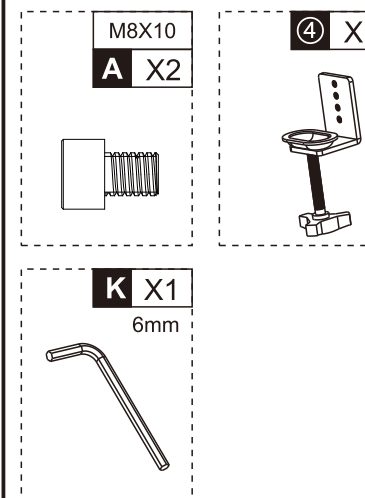
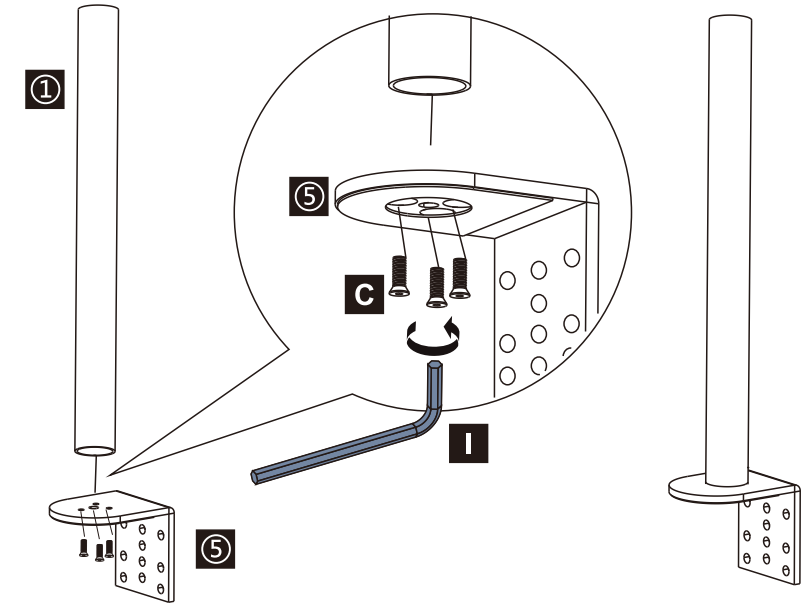
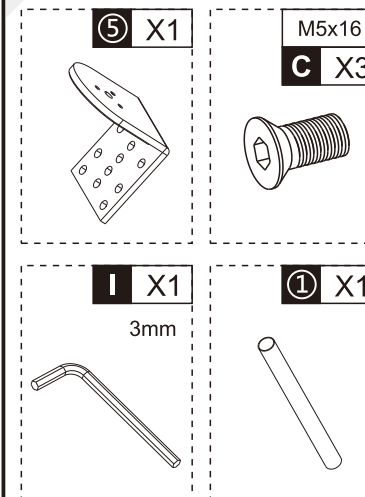
CAUTION: DO NOT EXCEED RATED LISTED WEIGHT. SERIOUS INJURY OR PROPERTY DAMAGE MAY OCCUR! WE DO NOT RESPOSIBLE FOR DAMAGES CASUSED BY IMPROPER INSTALLATION!

M074

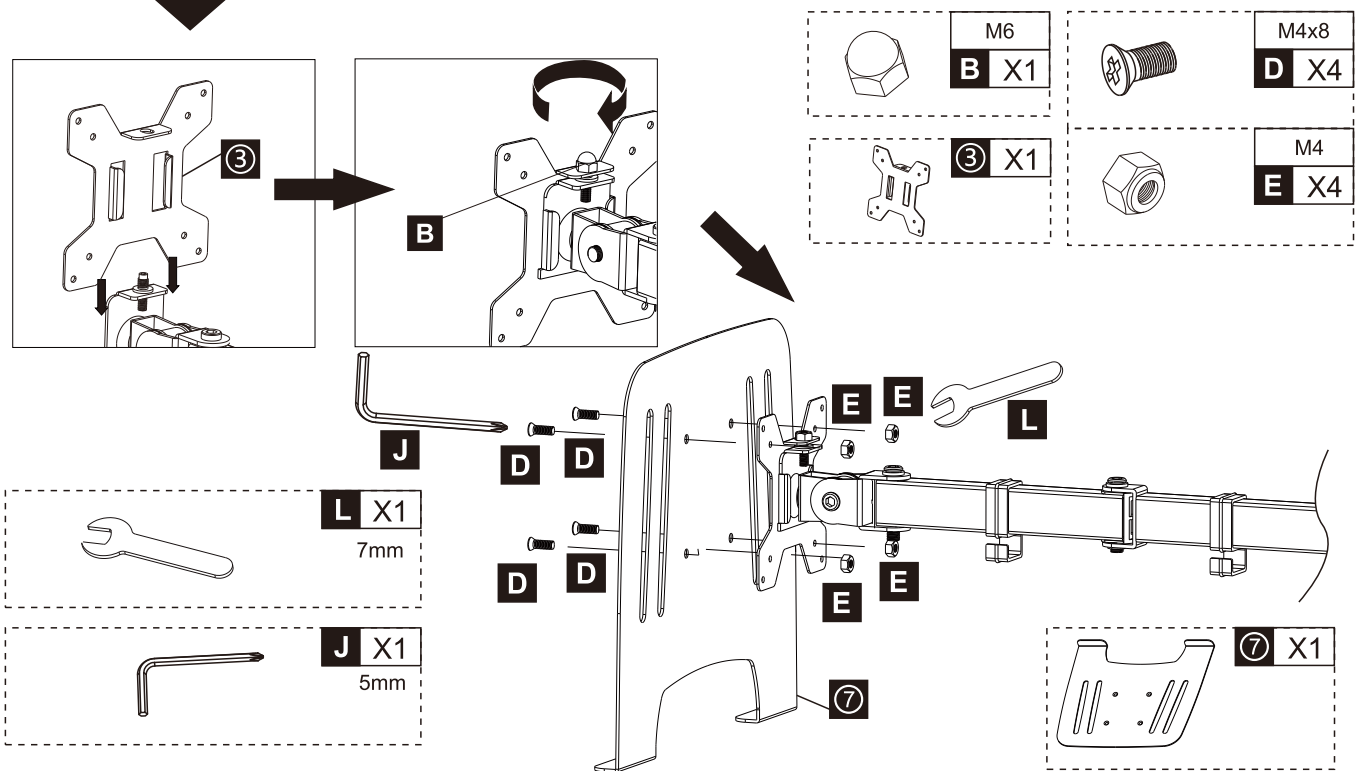
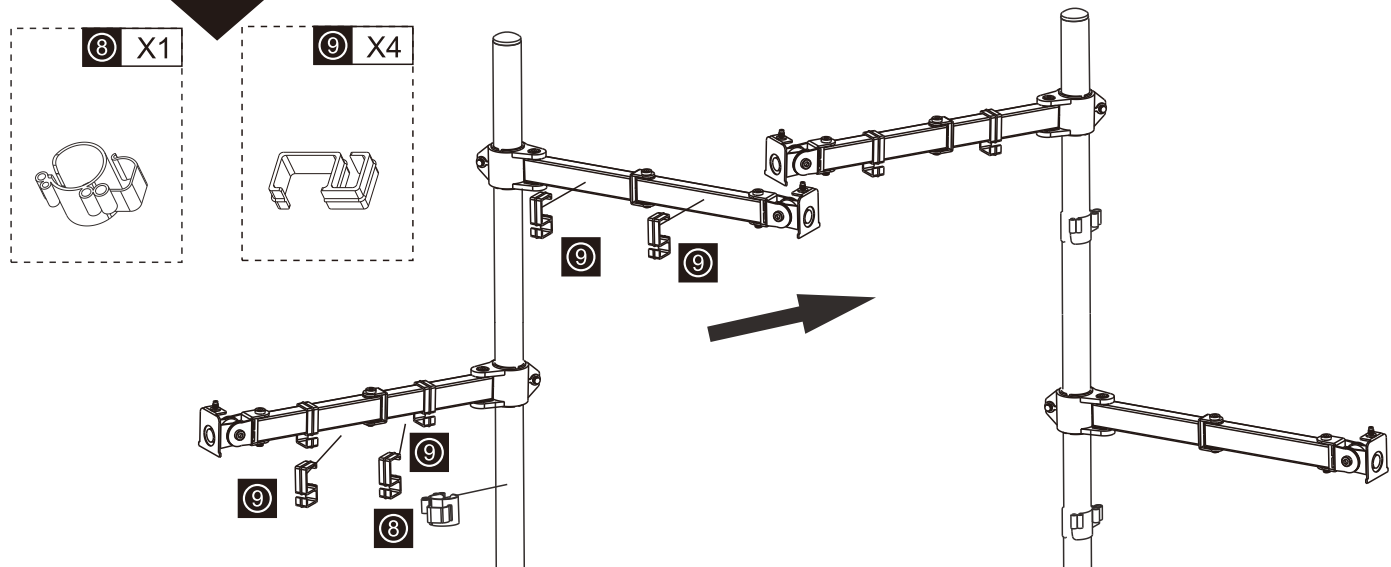
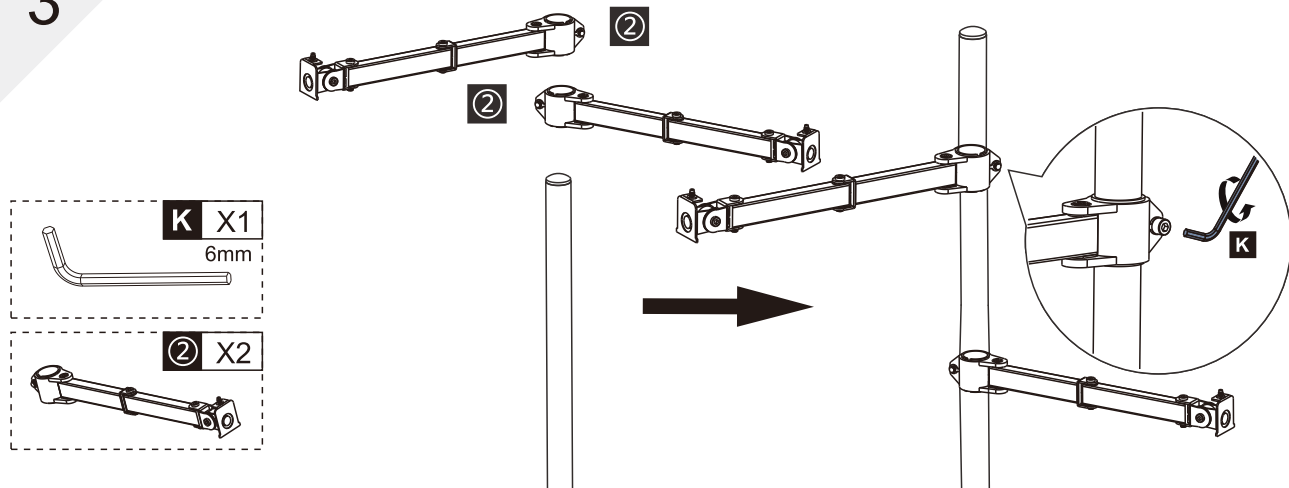
**PART LIST**

	① X1		⑧ X1		M4x30 F X4
	② X2		⑨ X4		M4*12 G X4
	③ X2		M8x10 A X2		H X4
	④ X1		M6 B X2		I X1 3mm
	⑤ X1		M5x16 C X3		J X1 5mm
	⑦ X1		M4x8 D X4		K X1 6mm
			M4 E X4		L X1 7mm

2



3



4

