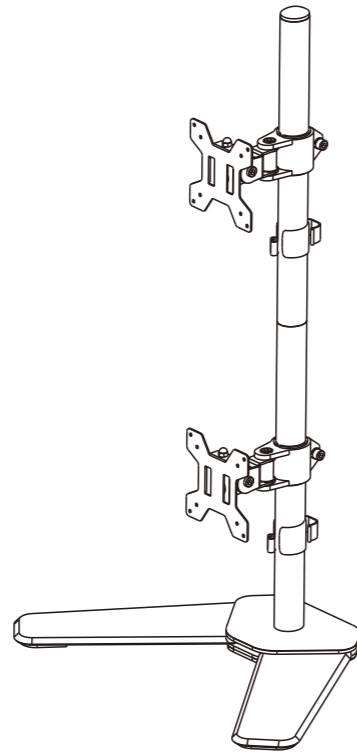


1

REV:02



75x75
100x100

27"
MAX

8kg
(18lbs)
MAX



CAUTION: DO NOT EXCEED RATED LISTED WEIGHT. SERIOUS INJURY OR PROPERTY DAMAGE MAY OCCUR! WE DO NOT RESPONSIBLE FOR DAMAGES CASUSED BY IMPROPER INSTALLATION!

M073

PART LIST

	① X1		M6	A X2		I X2
	② X2		M10x16	B X1		K X1
	③ X2		M5x18	C X3		L X1
	④ X2		M6x14	D X5		M X1
	⑤ X1		M4x30	F X8		N X1
	⑥ X1		M4*12	G X8		O X1
	⑦ X1			H X8		
	⑧ X1					
	⑨ X1					

2

