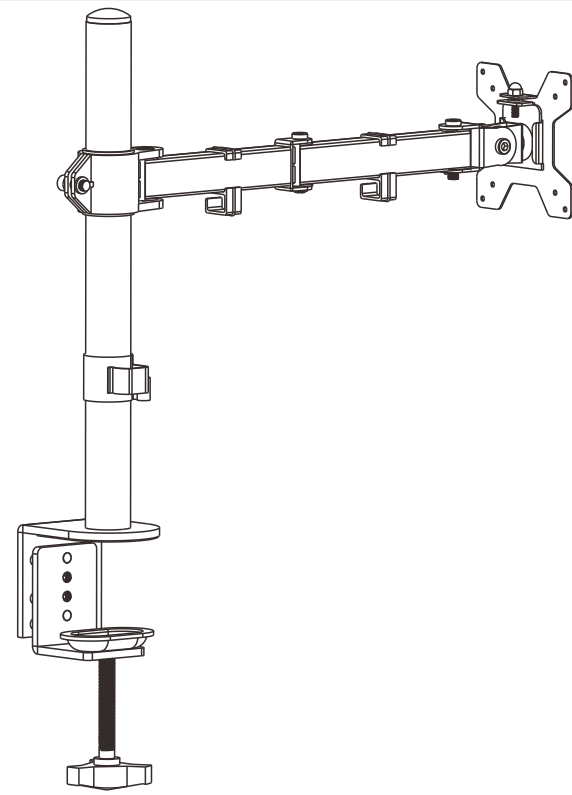


1

REV:01



75x75  
100x100

27"  
MAX

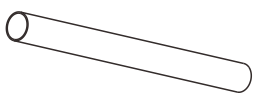


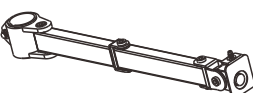
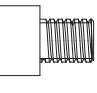


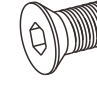

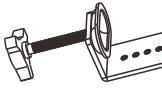
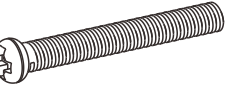

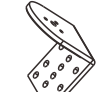
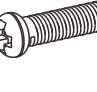


8kg  
(18lbs)  
MAX



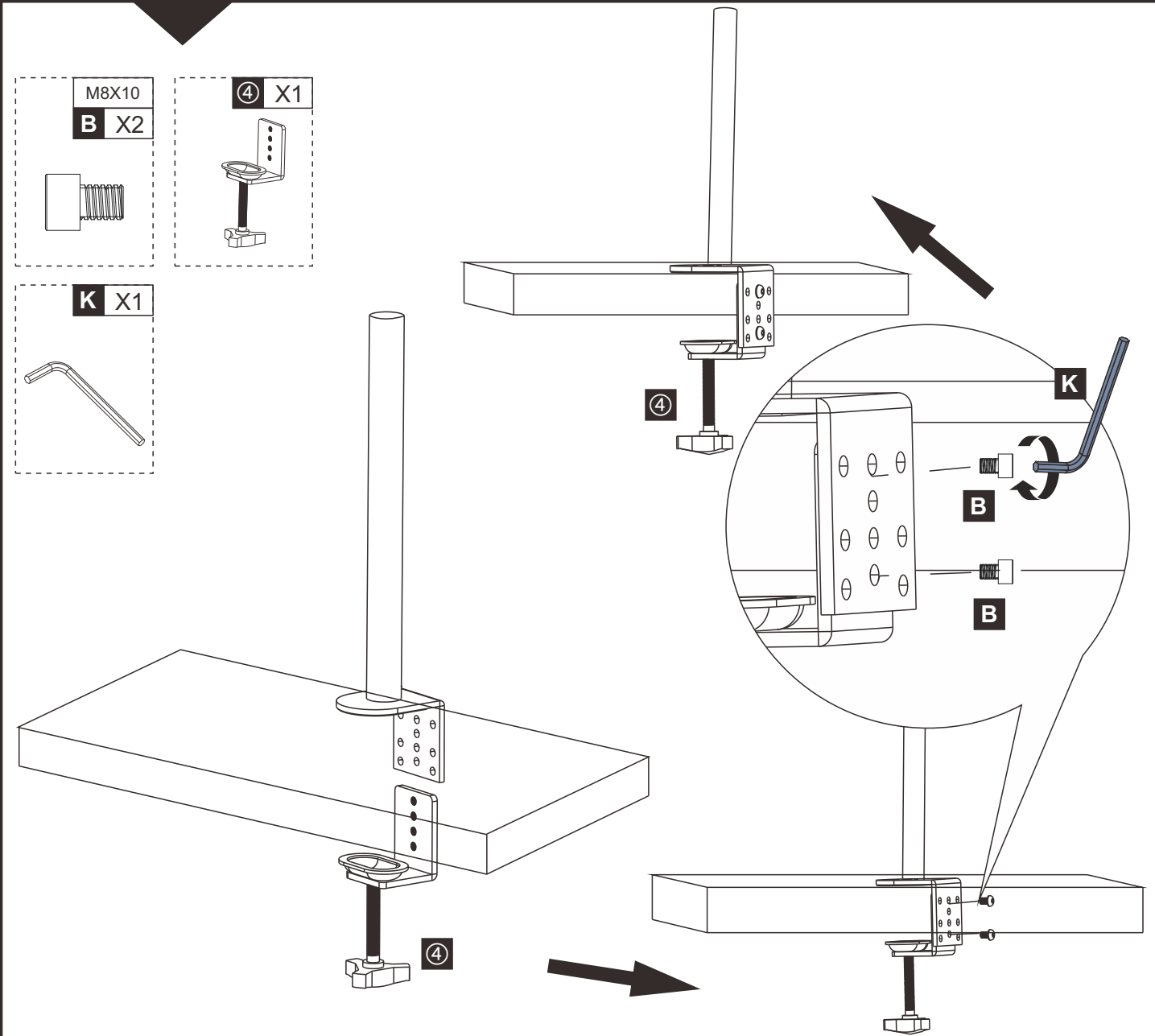
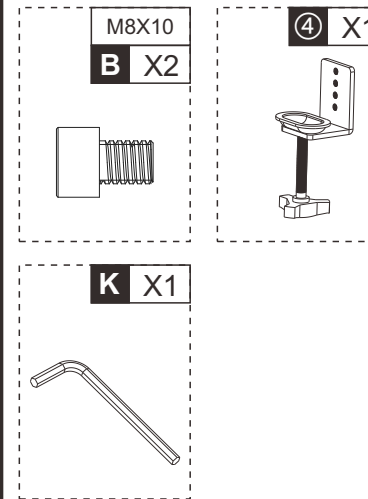
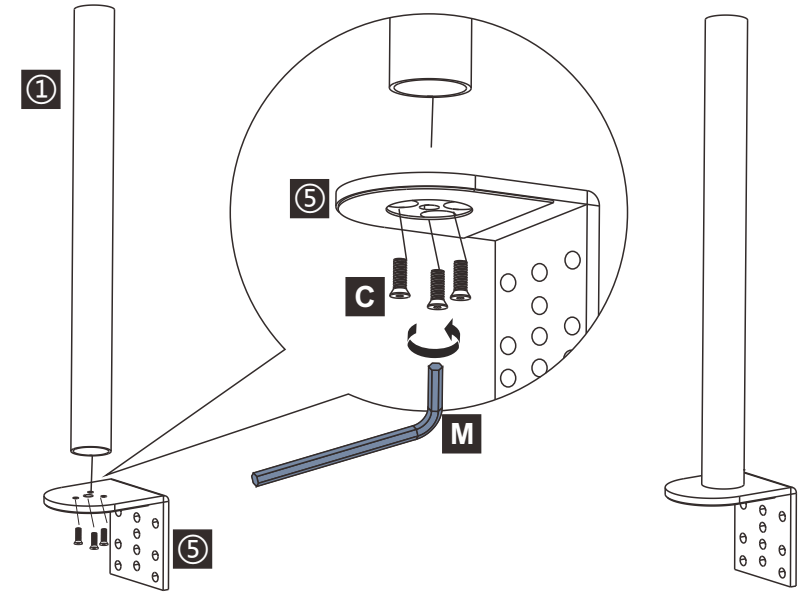
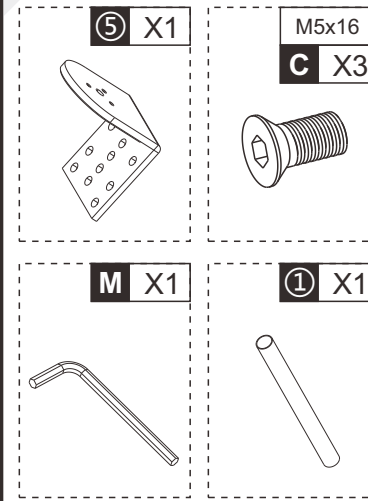
CAUTION: DO NOT EXCEED RATED LISTED WEIGHT. SERIOUS INJURY OR PROPERTY DAMAGE MAY OCCUR! WE DO NOT RESPOSIBLE FOR DAMAGES CASUSED BY IMPROPER INSTALLATION!

M051

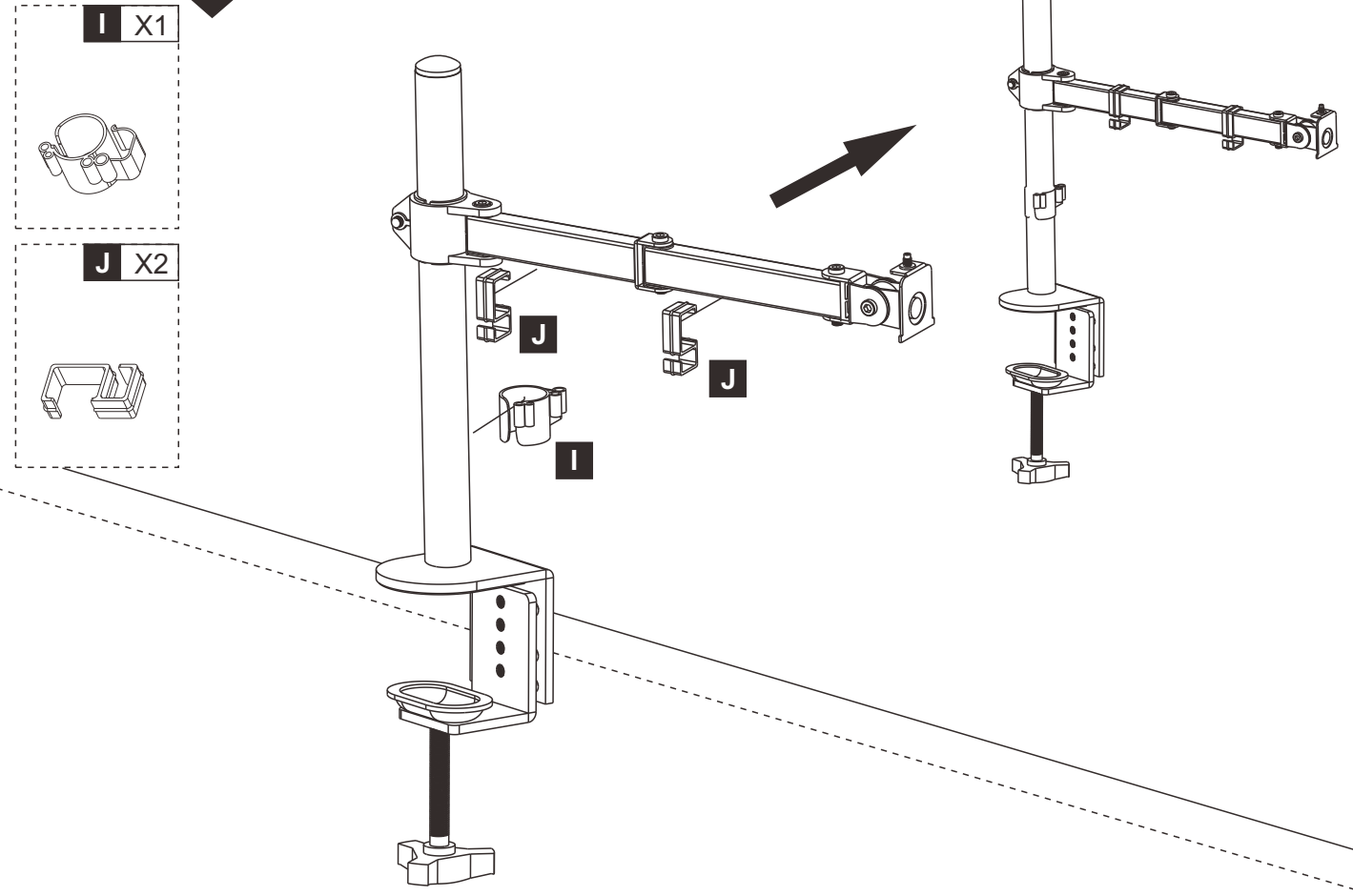
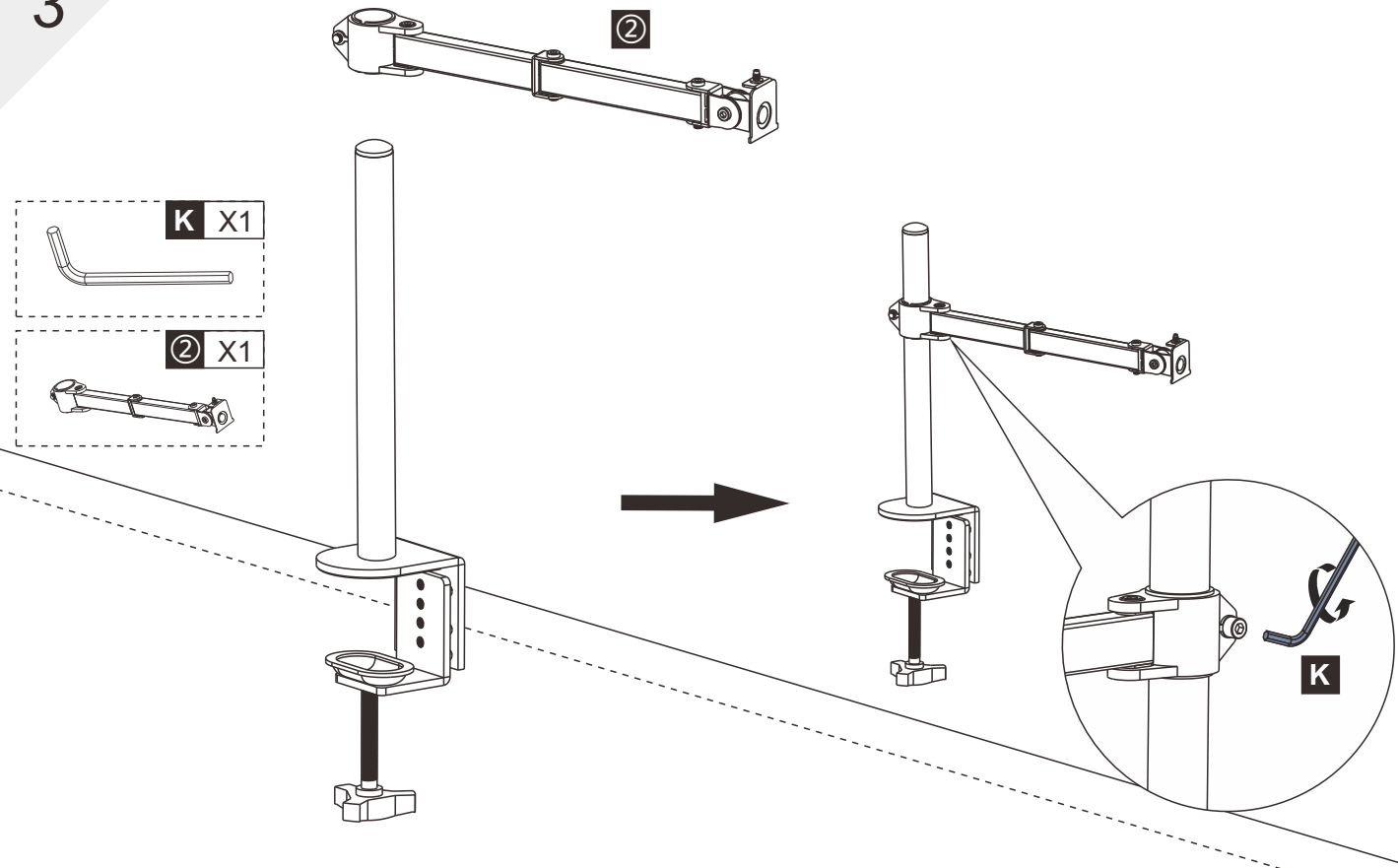
**PART LIST**

	① X1		M6 A X1		H X4
	② X1		M8x10 B X2		I X1
	③ X1		M5x16 C X3		J X2
	④ X1		M4x30 F X4		K X1
	⑤ X1		M4*12 G X4		L X1
					M X1

2



3



4

